

5805 West 6th Avenue, Unit 1C
Lakewood, CO 80214
303-237-9608
Fax: 303-237-0757
www.carsaneng.com



ISO 9001:94
Registered

Input / Output Connections

Models: CE181AXE, CE181BXE, CE181CXE
CE200AHX

AC Input:

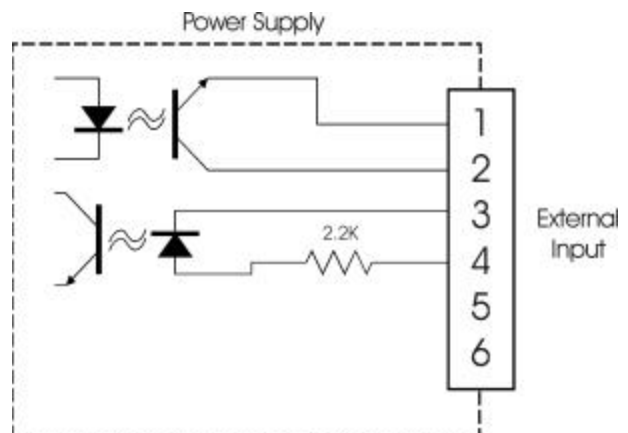
100 - 240 VAC, +/- 10%
47 - 63 Hz
0.25" faston-type connectors

Lamp Output:

0.25" faston-type connectors
Positive terminal is female, negative terminal is male.

Status and Control Connector:

6-pin, 0.1" spacing, with locking ramp
Use Molex 22-01-3067 connector or equivalent
pin 1: Lamp Lit Return
pin 2: Lamp Lit Output
pin 3: Enable Return
pin 4: Enable Input
pin 5: -reserved-
pin 6: -reserved-



Fan Connector:

2-pin, 0.100" spacing, with locking ramp
Use Molex 22-01-3027 connector or equivalent

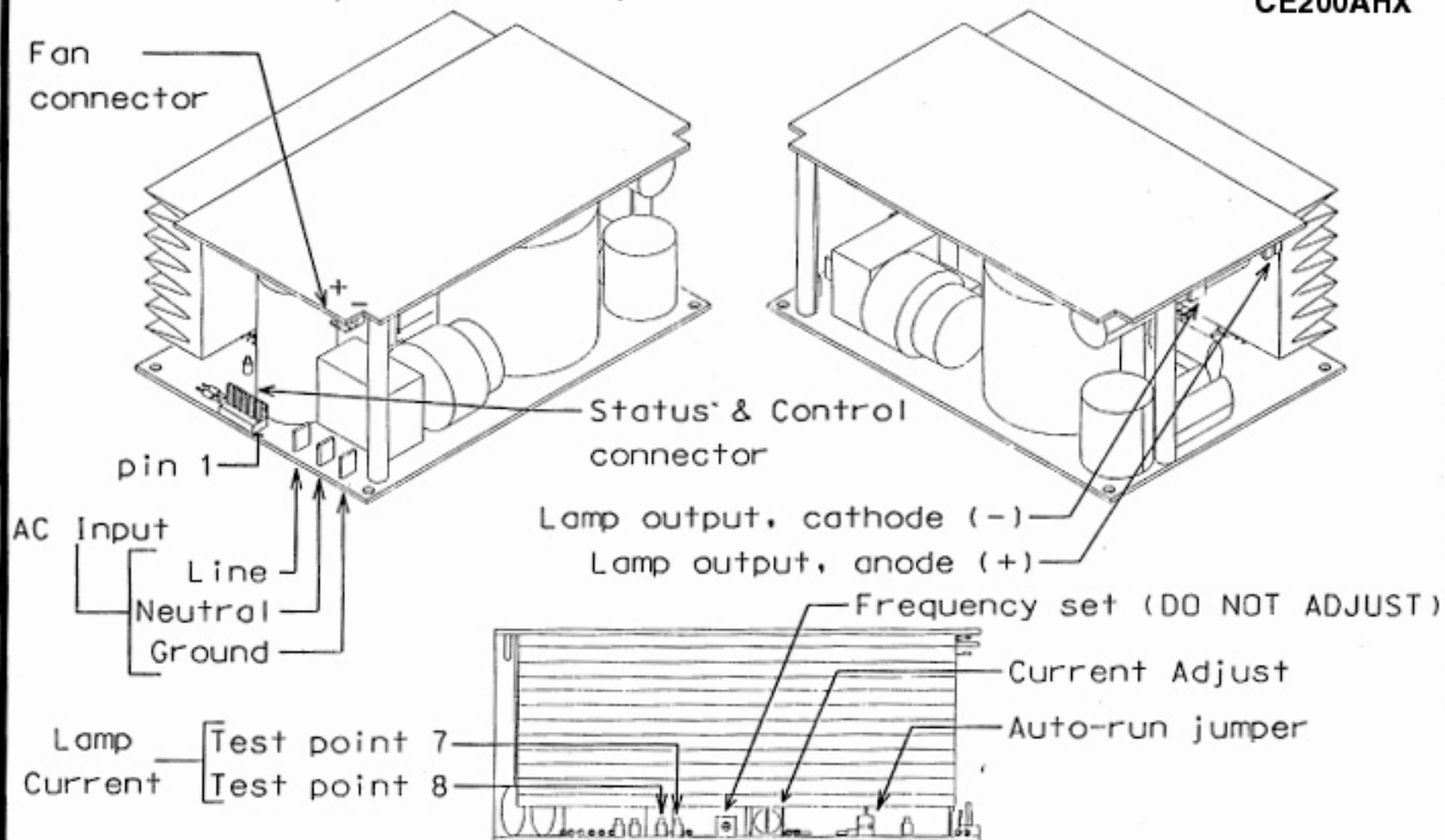
Current Sense Test Points:

Test points TP7 and TP8 are across a 0.01 ohm resistor that is in series with the output to the lamp. For 12 Amps to lamp, set current adjust pot so that voltage between test points is 120 mV.

Auto-Run Jumper:

Attaching a two-pin shorting block across this connector forces the supply to run as soon as power is applied. The state of the Enable input is ignored.

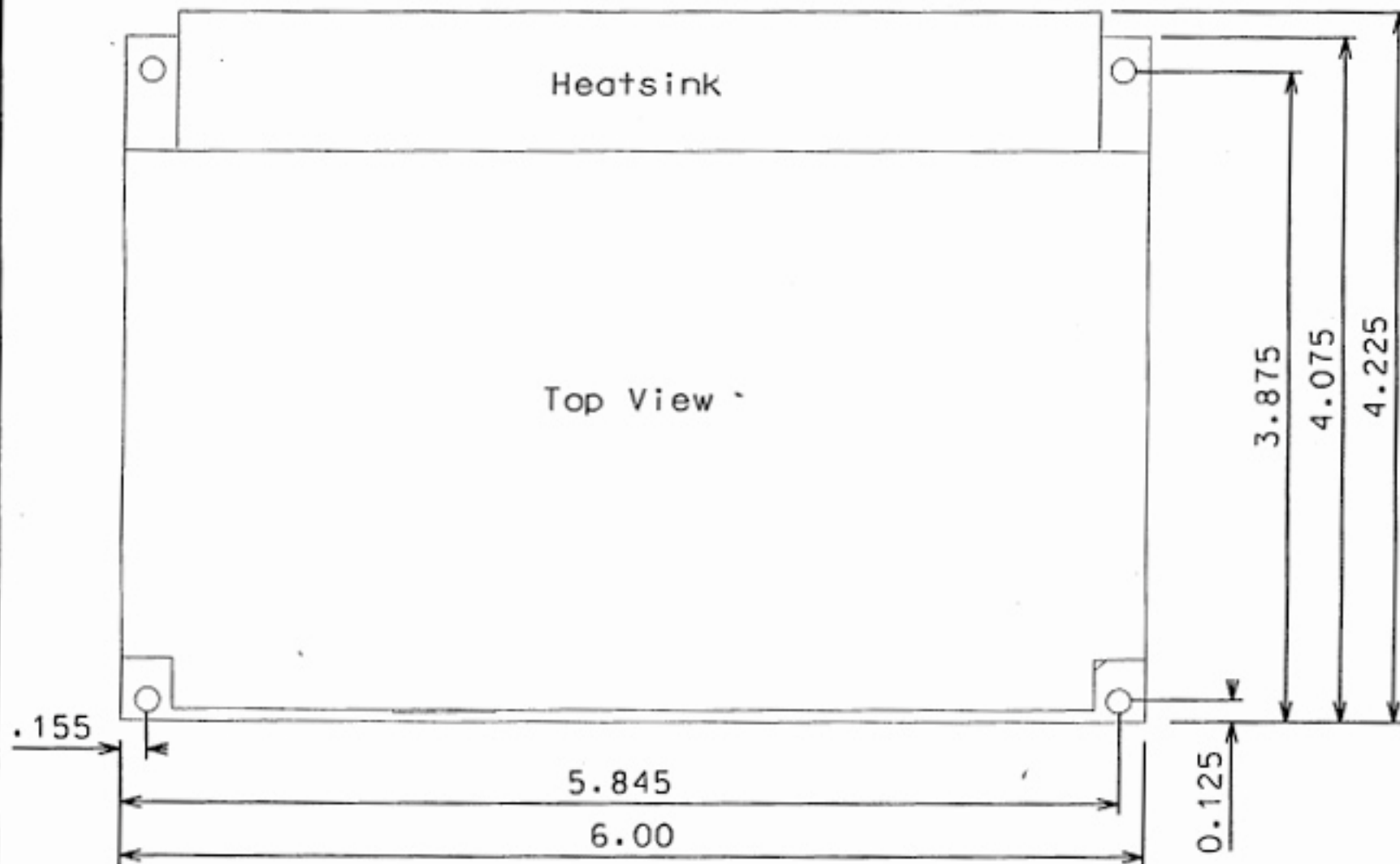
Input/Output Connections



Carson Engineering

Mounting Dimensions

CE181AXE
CE181BXE
CE181CXE
CE200AHX



Carson Engineering

Overall Dimensions

CE181AXE
CE181BXE
CE181CXE
CE200AHX

